



LI-6000

AOI

A Leading Global

**Professional
Visual Inspection**

Equipment Manufacturer

Jutze Core Technology

01

The first AOI manufacturer to use combination of brightness and RGB in domestic market. Creative AOI inspection theory with high detection rate and low False Call;

02

Combined with multi-phase LED lighting system, the high-speed multi-frame industrial CCD camera gives more high definition PCB images, and provides the highest inspection performance for now, 03015 compatible;

03

On the basis of former inspection speed, new Vision System provides many types of lighting and multi-imaging. All these combinations give more details to analysis, which is more powerful than former AOI;

04

Provide excellent solutions for SMT production lines, help improve the pass yield and work efficiency;

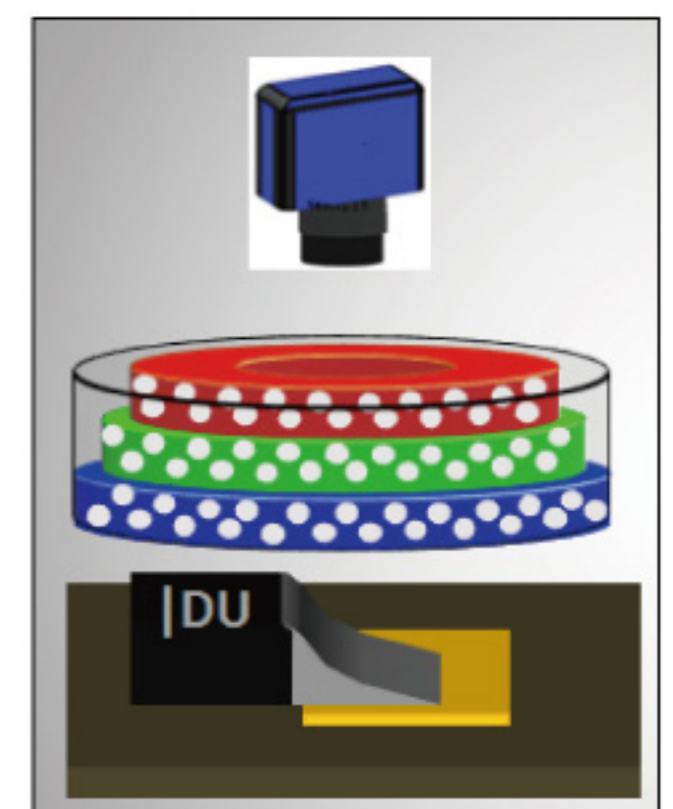
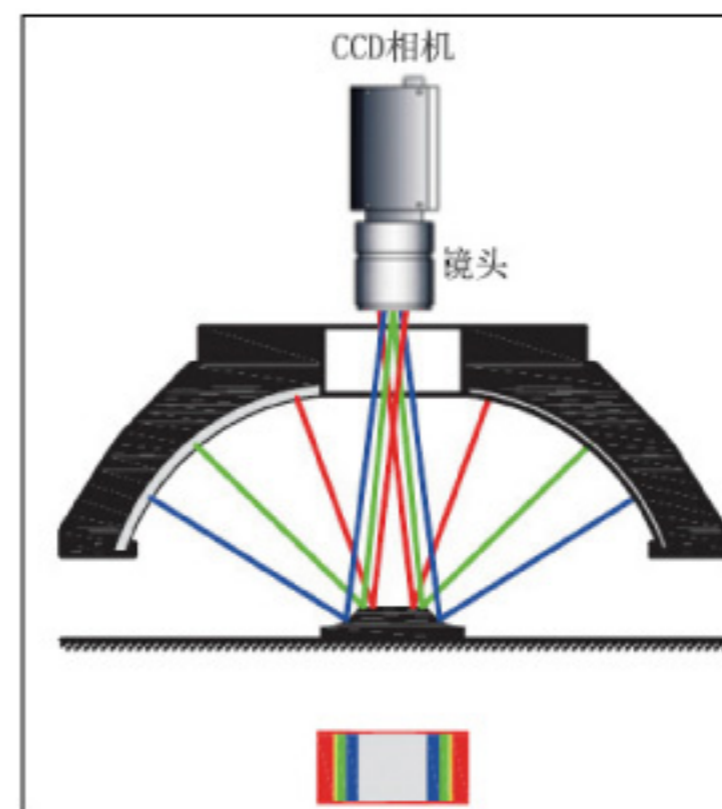
05

All-new design circuit and control system, which is much more compact with much faster communication. Hence the equipment is more efficient;

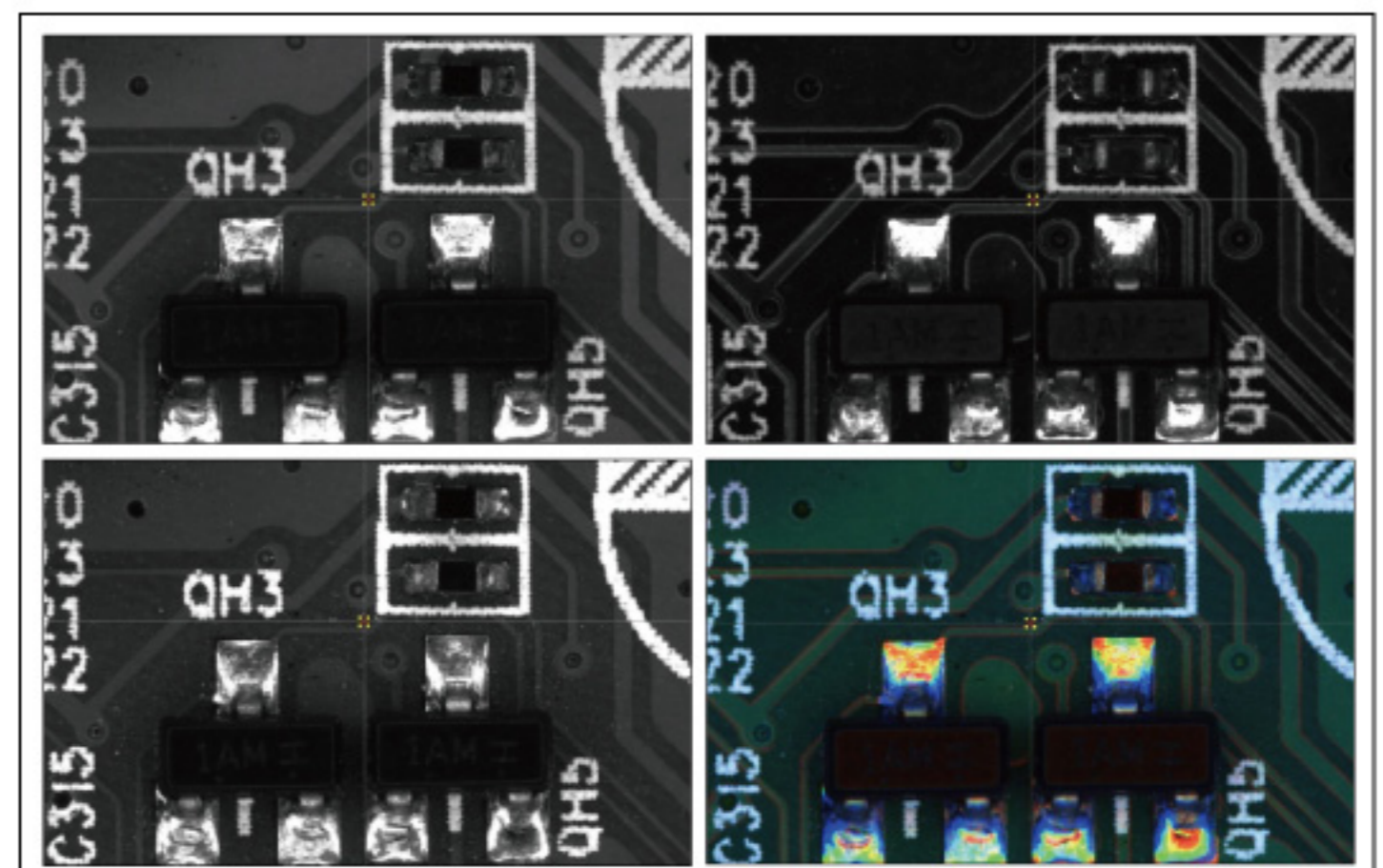
LI-6000



All-new design 6 channel LED lighting with promoted inspection performance

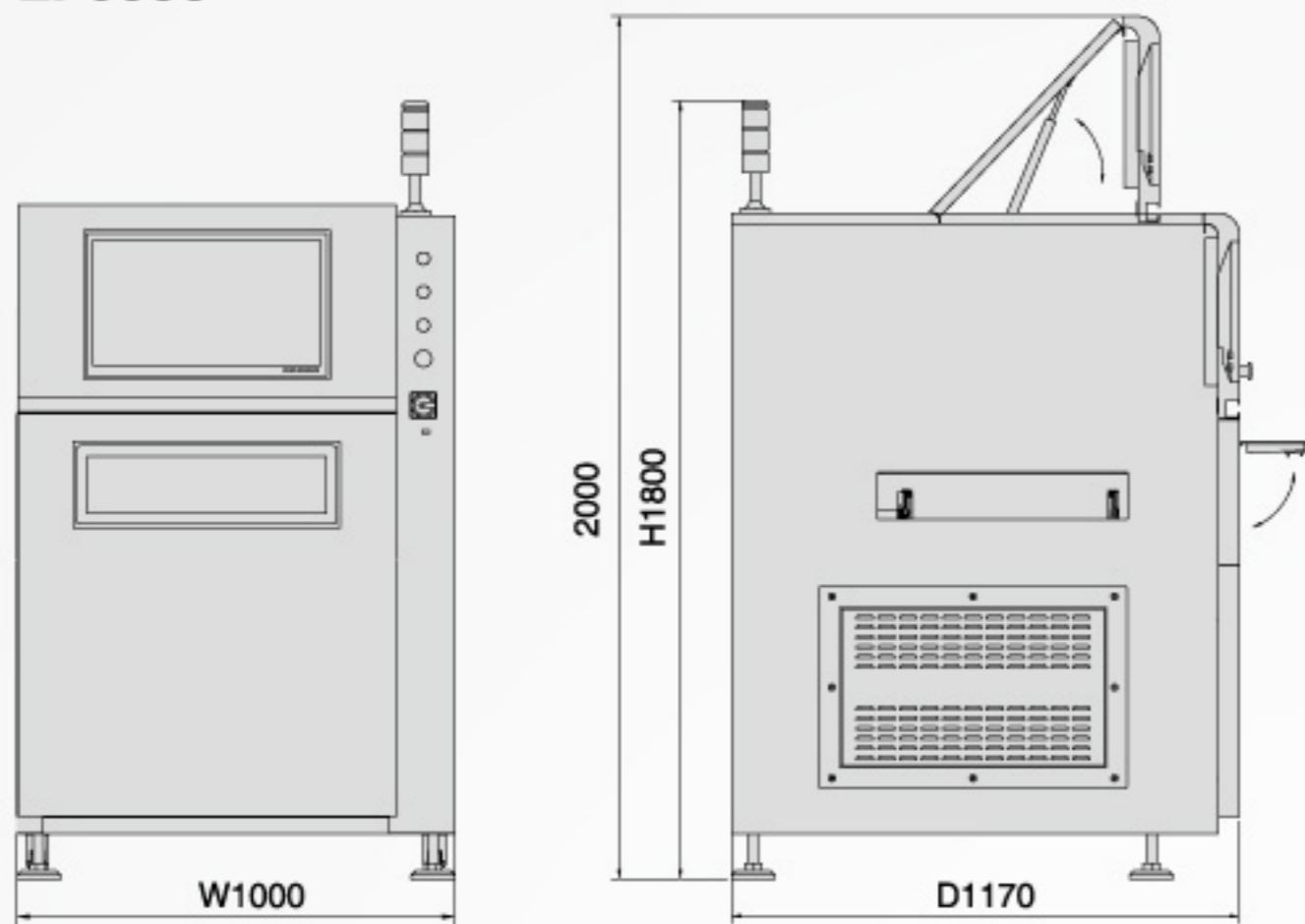


Use high speed multi-frame camera to get combinations of at least four images for each FOV, with more details for inspection and analysis

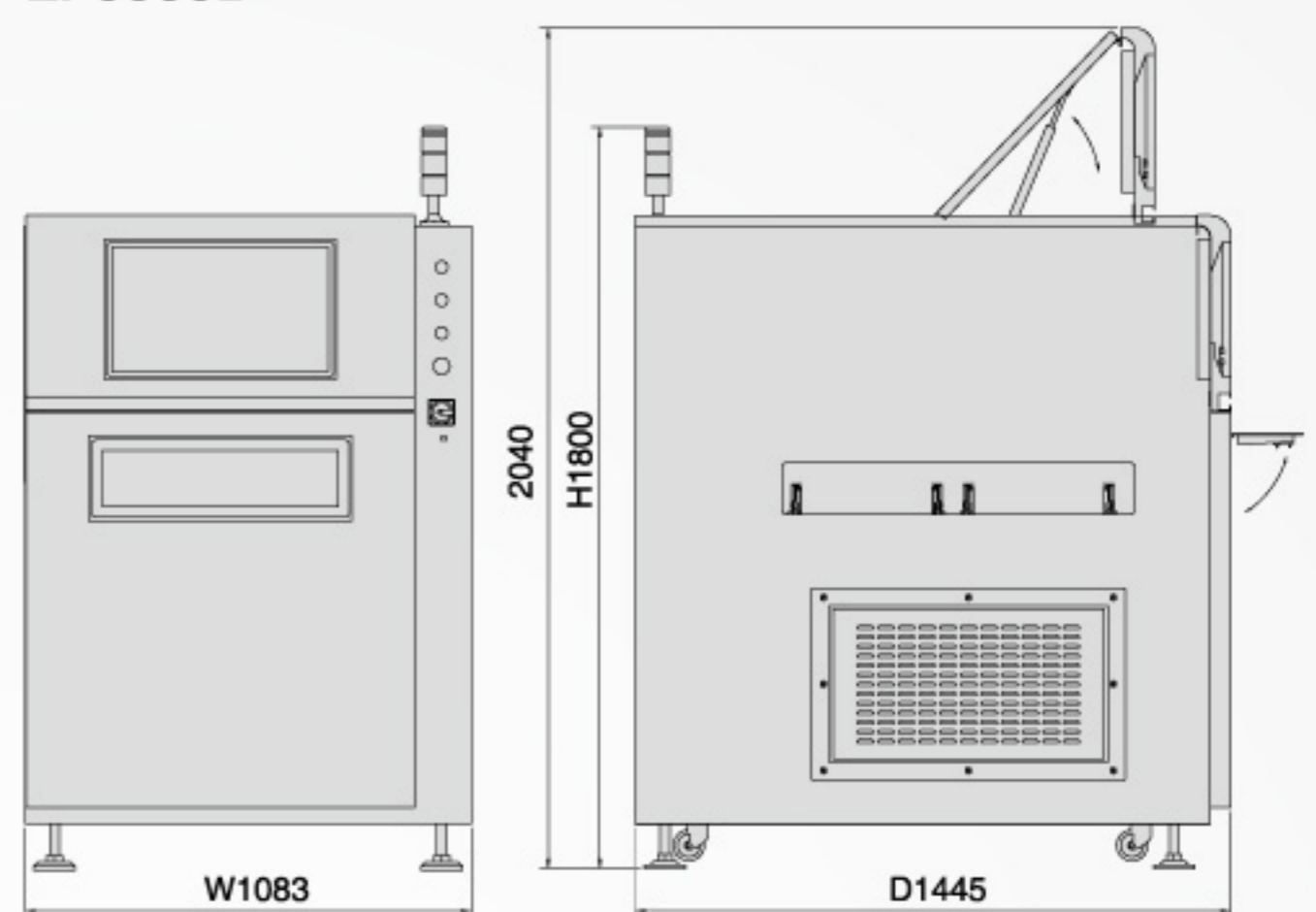


Product Dimension in mm

LI-6000



LI-6000D



Model		LI-6000	LI-6000D
PCB	PCB Size	50mm×70mm ~ 510mm×460mm	
Lane	Clearance	Upper: 35mm Lower: 50mm	
	PCB Thickness	0.6mm ~ 6mm	
	Transport Height	900±20mm	920±20mm
	Flow Direction	Left to right, Right to left (as per customers' request)	
Product Size		W1000 × D1170 × H1800mm	W1083 × D1445 × H1800mm
Weight		734KG	945KG
Vision System	CCD	9.1M Digital Camera (5M, 12M Digital Camera option)	
	Lighting	6 channel lighting system (RGB+3White)	
	Resolution	12um (5um – 17.5um option)	
	Inspection Speed	3 ~ 5 FOV/sec	
Inspection Defects		Missing,Solder ball, Shift, Side up,Tombstone,Upside down,Reverse, Wrong component,Bridge,Insufficient solder,Copper exposure,Wrong mark, No solder,Extra solder,Lifted body,Lifted lead,Bended lead,OCV etc.	
Power Requirements		AC 220V 50/60Hz, 1.8KVA	
Air Requirements		0.5MPa	
Environment		Temperature: 5-40℃, Humidity: 25%-80% RH	
Interfaces		SMEGA	

<http://www.jutze.com.cn>

注意事项：本目录资料经仔细核对，如发现错误请及时联系本公司，使用前请务必仔细阅读《产品使用说明书》。

炬子科技股份有限公司
JUTZE INTELLIGENCE TECHNOLOGY CO.,LTD

E-mail:master@jutze.com.cn
Service E-mail:support@jutze.com.cn

JUTZE
DO.TRUST

[Http://www.jutze.com.cn](http://www.jutze.com.cn)

Suzhou

Add: Jutze Building, No.55 Jixian Street, Suzhou Industrial Park, P.R.C
Tel: +86-512-62988188 Fax: +86-512-62981886

Shanghai

Add: Room101-102,Building E,Minggu Science Park,No.7001
Zhongchun RD, Minhang District, Shanghai, P.R.C
Tel: +86-21-34687800 Fax: +86-21-34687805

Shenzhen

Add: No. 9, 8F, Yisibo Software Building, Haitian Er Road, Yuehai Street,
Nanshan District, Shenzhen, Guangdong Province, P.R.C
Mobile: 133 9114 5008

Japan

Add: KSP East 410, 3-2-1, Sakado, Takatsu-ku, Kawasaki-shi,
Kanagawa 213-0012, Japan
Tel: 044-712-5509 Fax: 044-712-5519