



JUTZE
Edge

Edge

3D AOI

A Leading Global

**Professional
Visual Inspection**

Equipment Manufacturer

3D Inline Automated Optical Inspection

Traditional 2D AOI inspection couldn't find many types of defects by capturing 2D images.

Creative 3D digital projecting measurement technology is developed by Jutze to get the real contour data to deal with SMD, Solder joints, Characters, and foreign material etc. , which overcomes the weakness of 2D AOI.

01 Accurate all-digital sinusoidal fringe phase, easy adjustable measurement range and accuracy;

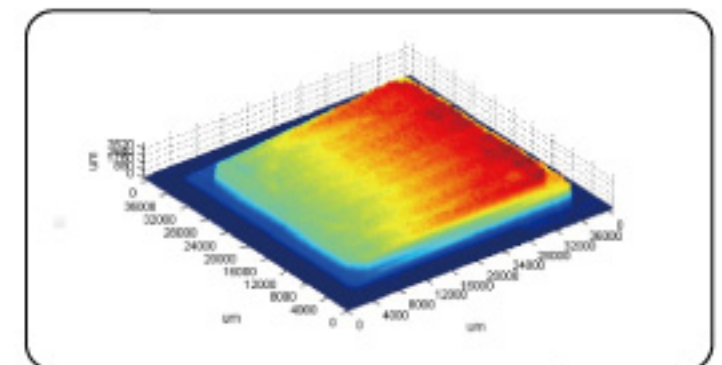
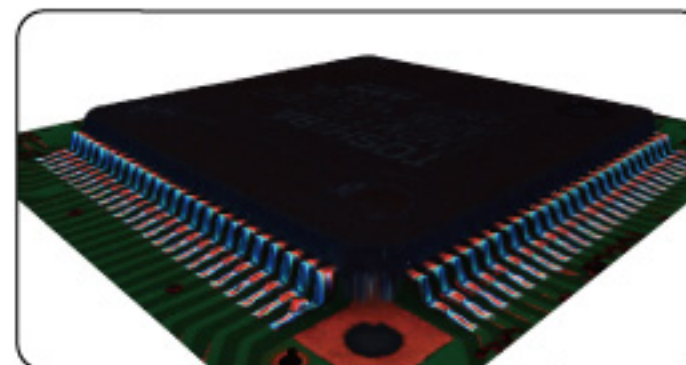
02 Fast and high accurate whole area scanning with wide height range;

03 User friendly interface with simple operation.

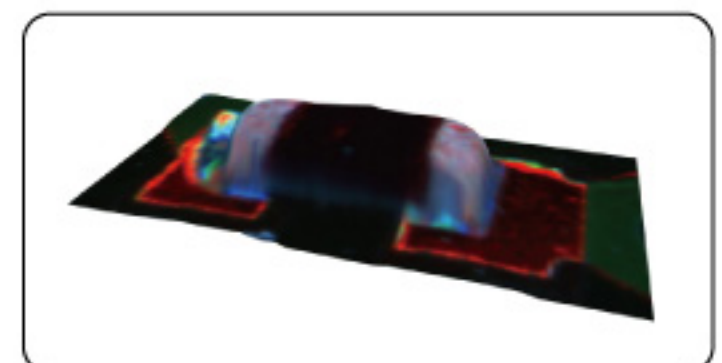
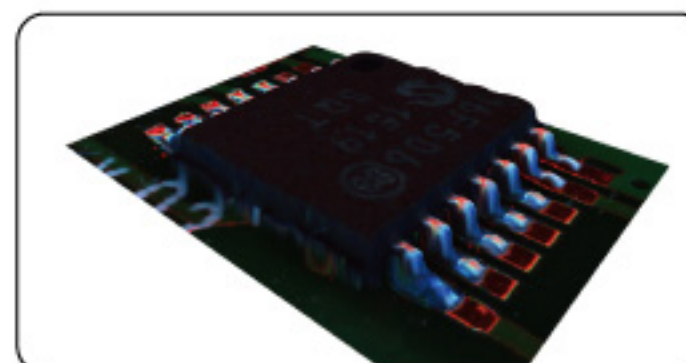
Edge



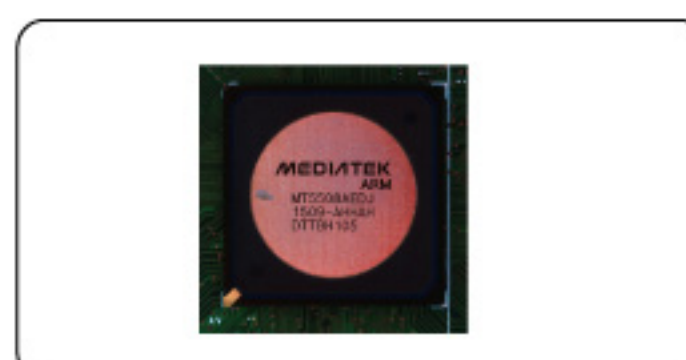
Display the component height in full range 3D, to reflect defects in real time.



Shadow free, four projectors, and multi-angle lighting system help eliminate the effects to 3D image caused by high component shadows.

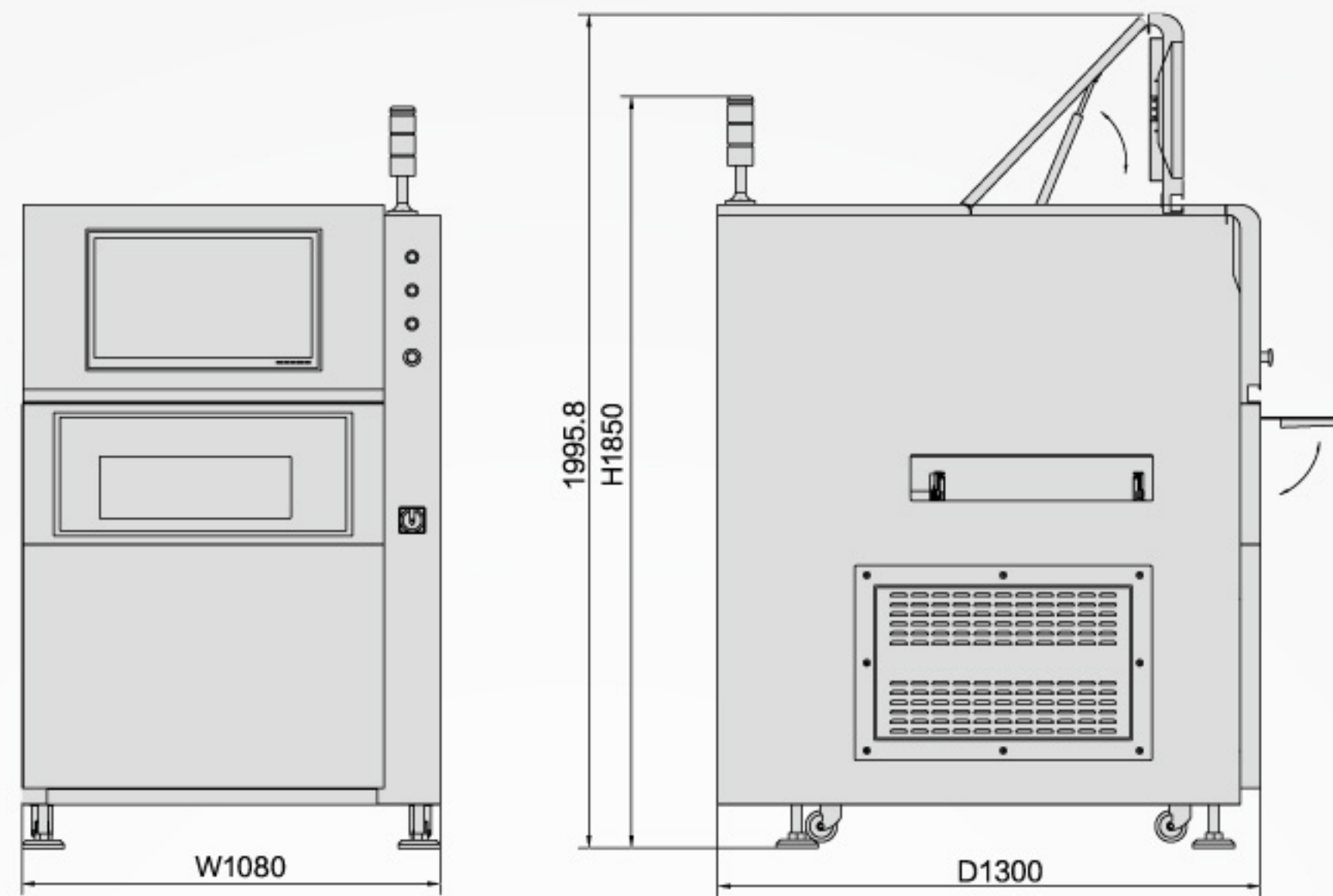


Coplanarity test in Z axis to check whether there is a component underneath.



Product Dimension in mm

Edge



Model	EDGE
Lighting System	2D RGB+White LED ring lighting
	3D four direction digital projector
Vision System	4M / 12M industrial high-speed camera;Telecentric lens
Resolution	18.3um / 10um *
Height Measuring	Maximum measuring component height : 20mm
Height Measuring Resolution	1um
Product Size	W1080 X D1300 X H1850mm
Weight	777KG
FOV Size	37.5 x 37.5mm (4M, 18.3um) 40.9 x 30.7mm (12M, 10um)
PCB Size	50mm×70mm~510mm×460mm
PCB Thickness	0.6mm~6mm
Inspection Theory	2D + 3D image data analysis
Inspection Speed	400ms / FOV (2D+3D)
Inspection Defects	Missing, shift, wrong component, reverse,insufficient solder, bridge,broken, foreign parts, scratch,solder on golden finger, side up,tombstone, lifted lead, lifted body, upside down,extra solder,no solder etc.
Conveyor System	PCB fix clamping method: Bottom-up fix board clamping; Automatic loading and unloading; Automatic system rail width adjustment, SMEMA standard;
	Rail height: 900±20mm
Power Requirements	AC 220V 50/60Hz, 1.8KVA
Air Requirements	0.5MPa
Environment	Temperature: 5-40℃, Humidity: 25%-80% RH
Interfaces	SMEMA

* 9um - 11um, subject to actual lens resolution.

<http://www.jutze.com.cn>

注意事项：本目录资料经仔细核对，如发现错误请及时联系本公司，使用前请务必仔细阅读《产品使用说明书》。

炬子科技股份有限公司
JUTZE INTELLIGENCE TECHNOLOGY CO.,LTD

E-mail:master@jutze.com.cn
Service E-mail:support@jutze.com.cn

JUTZE
DO.TRUST

[Http://www.jutze.com.cn](http://www.jutze.com.cn)

Suzhou

Add: Jutze Building, No.55 Jixian Street, Suzhou Industrial Park, P.R.C
Tel: +86-512-62988188 Fax: +86-512-62981886

Shanghai

Add: Room101-102,Building E,Minggu Science Park,No.7001
Zhongchun RD, Minhang District, Shanghai, P.R.C
Tel: +86-21-34687800 Fax: +86-21-34687805

Shenzhen

Add: No. 9, 8F, Yisibo Software Building, Haitian Er Road, Yuehai Street,
Nanshan District, Shenzhen, Guangdong Province, P.R.C
Mobile: 133 9114 5008

Japan

Add: KSP East 410, 3-2-1, Sakado, Takatsu-ku, Kawasaki-shi,
Kanagawa 213-0012, Japan
Tel: 044-712-5509 Fax: 044-712-5519